



## 4G GPS TRACKER 12-14 volt

Model VT904

*Dual Passwords for Double Data Protection & Security*

### OWNERS OPERATION MANUAL

This product requires a mobile SIM card with voice, text and data.  
(Sim Card not included). Data only SIM cards are not compatible.



#### DOWNLOAD THE MOBILE APP

Go to App Store for Apple IOS

Go to Play Store for Android

Search for :- **4G MONGOOSE GPS**



**WEB ACCESS TO TRACKER** [www.mongoosegps4g.com](http://www.mongoosegps4g.com)

## Responsible use of GPS products

GPS tracking devices need to be used responsibly, with disclosure and consent of drivers and not breach any privacy rights. Mongoose GPS trackers are not for covert use. You must disclose to any driver/user that you are using a GPS tracking system.

All customers need to ensure that they install and use GPS tracking devices in accordance with all applicable laws, regulations, standards and industry code of conduct.

# MONGOOSE GPS VEHICLE TRACKERS

The VT904 is a GPS tracker that transmits its location to the data storing online website, at intervals of your choice, using the 4G mobile phone network, mainly for text and data, all viewable on the website and the mobile phone APP.

## **The mobile APP and website**

The VT904 GPS tracker can be accessed via mobile phone APP, either Apple IOS or Android, as well access to the online PC website.

Your logon to the website and mobile APP is password protected (you choose the password) to make your tracking service more secure.

The APP is a tool and is used for tracker location, historical travel as well as issuing password protected commands that control how the tracker operates.

Location data is stored on the website for a continuing 6 month period. More detailed travel history and basic reporting functions can be found on the easy to use website.

## **Mobile SIM card** (not included)

The tracker uses fixed orbit GPS satellites to find its location on the earth.

The tracker requires its own mobile SIM card so it can send GPS locations using mobile data to the online website.

***The trackers SIM card must have the ability for text and data. (data only SIM cards are not compatible)***

Apart from your initial purchase price and installation, your only ongoing cost is for the SIM card usage payable to the SIM provider.

Due to the nature of this product, a PrePay SIM card is sometimes cost efficient especially if 'auto top-up' is selected when registering the SIM phone number with the service provider. The tracker does not inform you when available credit has been used up.

## **DUAL PASSWORDS – Double Data Protection & Security**

There are 2 separate unique passwords to protect your personal data.

### **Password 1:** WEBSITE - APP

This is your logon password to allow entry to the mobile **APP and website**. The default password is **222444**

### **Password 2:** TEXT COMMAND

This password is for text commands sent from the APP or your mobile phone. This password is chosen by you by selecting 'password' in the 'command list'. Default is **123456**

**NOTE: Only reveal your logon and password details to persons who you wish to have full access to the tracker including locations, history and programming options.**

# BASIC INSTALL AND SET UP STEPS

1. Install VT904 correctly into vehicle
2. INSERT active SIM CARD into VT904
3. Turn on Switch for VT904 back up battery
4. Turn vehicle on to get VT904 to send GPS location updates to APP
5. Download Mongoose 4G GPS APP
6. LOGON to APP use 10 DIGIT GPS tracker number and default password 222444
7. Enter trackers phone number in Tracker info

## STEP 1 INSTALLATION

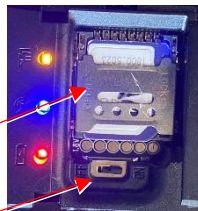
- Choose a hidden but accessible mounting location that allows for the tracker to face towards the sky – SIM card side facing up.
- Make correct wire connections
- Ensure there is no metal above that could shield the tracker.
- Do not put the tracker close to other emission sources such as computers, parking system, alarms, Bluetooth units or other electronic equipment.
- Remove the top cover and follow instructions in step 2 for SIM CARD.
- Plug in the loom and park outdoors to get good GPS reception.
- Verify mobile and GPS reception by looking at the built-in LED's for correct flash code. Details in Step 2
- Secure the tracker in the chosen location.

TEST SIMCARD voice, text, data function in phone for activation before use in

## GPS TRACKER

### STEPS 2 & 3 SIM CARD INSTALLATION

- Remove the 'snap-on' top cover of the tracker
- Slide and lift SIM card holder - Insert SIM card
- Close holder and slide forward to lock
- Turn on the trackers' battery back-up isolating switch
- Replace the plastic cover



### BLUE & YELLOW LEDs

- |                                   |  |
|-----------------------------------|--|
| <b>Unlit</b>                      | Reception is off (No power or unit asleep)             |
| <b>Lit solid</b>                  | Working normal   |
| <b>Flashing once every 3 sec'</b> | Searching for reception (Yellow – Mobile) (Blue – GPS) |
| <b>Red LED</b>                    | Power connected and internal battery charging          |

**NOTE:** The trackers internal battery will not provide backup power unless the isolating switch is 'ON'. If the tracker is removed from the vehicle, for whatever reason, turn the switch 'OFF' to prevent full battery discharge and possible damage.

### STEP 4 TURN ON ENGINE OF CAR

IF parked in position that is under a metal or concrete roof please move the vehicle outside so TRACKER can be able to pick up satellite and phone signal.

This will allow the Tracker to send location data to the APP or website.

### STEP 5 Website and 4G APP or UPDATE TO MOST RECENT APP VERSION

#### DOWNLOAD THE MOBILE APP

Go to App Store for Apple IOS

Go to Play Store for Android

Search for :- **4G MONGOOSE GPS**



**WEB ACCESS TO TRACKER [www.mongoosegps4g.com](http://www.mongoosegps4g.com)**

### STEP 6 LOG ONTO TO APP OR WEBSITE

1. Enter the trackers 10 DIGIT ID (serial number) and default 222444 password then PRESS LOGON. The 10 DIGIT ID can be found on the box and on the TRACKER

2.You can check now to see if your TRACKER is reporting correctly to the APP.

If your tracker is not reporting its Location yet, or it has but you also want to access more features of the APP follow the steps below. Remember to have turned your vehicle on so tracker can send location data.

Press MENU at bottom and then select TRACKER INFO

### STEP 7 ENTER TRACKER PHONE NUMBER into Tracker Info

Once in Tracker INFO you can set up details for your unit.

Press the Write ICON at top right of the screen and select Device phone number section. Enter the phone number of the SIM card put inside the Tracker. No spaces.

CHECK Your DEVICE phone number is correct →

You can also personalise the tracker info details here.

Once complete press Save icon at the top right of the screen

You can press the Back button at top of screen to go back to Main menu



### In Menu choose TEXT COMMANDS

Choose **MASTER USER NUMBER**.

You can then enter your personal MOBILE number that will be the main user of the tracker. Ensure correct!! The app will go to SMS sending function of phone, Send the SMS and tracker should reply.

In this section you can set up and communicate via SMS with your tracker.

You can change your SMS password here for extra security of your tracker. KEEP A RECORD OF THIS NUMBER

Once completed go back to Main menu



### **In Menu choose SET APN**

If you have started your car and it did not show location on the APP Real time tracking, you can enter the **SIM PROVIDERS APN** to make sure the tracker is sending data via the right TELCO APN.

Below are some of APNs that you can enter, the APP will go to SMS, please ensure you send SMS and TRACKER will reply

The 'APN' (Access Point Name) allows your GPS tracker to connect to the internet via the APP. It is your trackers SIM card providers data channel. Here are some APN examples;

| <b>Australia APN</b> |   | <b>New Zealand APN</b> |                   |
|----------------------|---|------------------------|-------------------|
| <b>Telstra</b>       | telstra.internet or<br>telstra.wap        | <b>Vodafone</b>        | vodafone.net.nz   |
| <b>Vodafone</b>      | live.vodafone.com                         | <b>Spark</b>           | internet          |
| <b>Optus</b>         | connect or<br>yesinternet or<br>connectme | <b>2 Degrees</b>       |                   |
| <b>Aldi</b>          | mdata.net.au                              | <b>Kogan</b>           | live.vodafone.com |
| <b>Boost</b>         | telstra.mms                               | <b>The Warehouse</b>   | warehouse         |
| <b>Moose</b>         | yesinternet                               | <b>Skinny</b>          | wapaccess.co.nz   |
| <b>AmaySim</b>       | internet                                  | <b>Slingshot</b>       |                   |

Contact your SIM card provider if your provider is not listed above or to verify the correct APN.

Turn Ignition on for vehicle so it sends location then allow a few minutes and check location which should now be correct. Check Real time tracking on your APP.

You can now go back to MAIN MENU

### **Select Change Password**

You can enter your current password for APP/WEBSITE LOG IN, then choose enter your own 6 digit password, then enter it again to confirm.

Use this new 6 digit password when you LOG IN.

**NOTE: It is important that you change the Default passwords to your own chosen password. Also to protect your location data, only reveal your logon details to trusted persons.**

# LOGON SCREEN

- **SINGLE TRACKER USERS**

- Enter trackers ID /IMEI (serial number) and your password. 10 digit number on box and tracker

- **GPS ACCOUNT USERS** (For more than one tracker) \*

- Enter your account name and logon password

- Tick the 'remember me' box for future logons

\* If you have more than one tracker and to view them with just one logon, contact Mongoose to apply for your GPS account.



## 'REAL TIME' LIVE TRACKING

After logging on, the 'real time' map screen opens and shows the current or last viewed vehicles' location.

This location is the last one recorded by the APP (and GPS website).

The dialogue box gives the time and date of that location.

This could be right now, or sometime previously.

If this screen is left open, a trace line will be drawn showing the route currently being driven.

The green triangle is the tracker - the blue dot is your mobile phone.

The green line shows the direction and distance your phone is from the tracker.

You can view in either map or satellite view.

**MENU** - takes you to the main menu

**LIST** - allows you to choose which tracker you wish to view (Account users only)

Each time the blue circle is pressed, the view changes to what information is displayed.

- a. An individual tracker location and distance from your mobile phone
- b. The location of your mobile phone
- c. All online trackers (account holders with more than one tracker)

**NOTE:** For this feature to function correctly and accurately, ensure your mobile phone GPS location services are switched on to allow phone and APP tracking.

## THE MAIN MENU

The top bar shows the trackers status

- **'Real Time'** - shows the current or last reported location
- **'History'** replay todays travel, yesterday or any 24 hour period  
History is retained for 6 months. Page 6
- **'Text Commands'** allows you to control the tracker  
(Uses text messages from your mobile phone)
- **'PASSWORD CHANGE'** you can set up your own  
Password fro APP-Website log in
- **'Messages'** a record of alerts sent to you
- **'Geofence'** - sets a permitted radius of travel.
- **'Tracker info'** – complete all details
- **'Set APN'** - Allows you to change APN if a different SIM  
card is used.

## Single User Menu



## ACCOUNT MAIN MENU

If you have more than one tracker and you wish to view them on your mobile phone, contact Mongoose so we can create your own GPS 'account'.

### Main menu

Same as above with an additional button for your account details. As an account holder, you have 4 more buttons at the foot of the screen

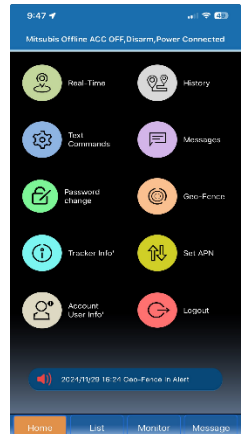
**'HOME'** – Takes you to the main menu as shown on the right

**'LIST'** – Lets you select which tracker to view.

**'MONITOR'** - Allows you to view all your trackers (online and offline) on your mobile phone at the same time.

**'MESSAGE'** – Shows text messages that have been sent to your mobile phone.

## 'Account' User Menu



## TRACKER INFO' - Please complete all details



Press Write icon at top left to start to enter details and then press Save icon to ensure you save details.

- Edit the device name to your choice  
(This name shows on the map and other screens)
- Enter the vehicles registration number
- **Enter the phone number of the trackers SIM card, Do not enter any spaces between numbers.**
- Enter the name of the main contact person. (For multiple vehicles, you can enter the drivers name)

## HISTORY PLAYBACK

The history screen allows you to select;

'Today'

'Yesterday'

or 'Custom' – (any 24 hour period)

Select a 24 hour period, the screen opposite will appear;

- Which tracker is being shown
- Date and time
- Start and end points
- The green trace line is the route taken
- Speed at each location
- Direction of travel

The control buttons at the bottom allow you to zoom in or out, play, pause, change progress and change replay speed.



## STRAIGHT LINES ON REPLAY

This tracking device will always attempt mobile connection via the 4G network.

If 4G is unavailable, or in area that has high level of 4G traffic it will automatically attempt to find 4G network. This can cause a momentary loss of location data whilst searching for a mobile connection. This can result in odd short straight lines appearing on the replay of a historical journey. The onboard location memory function of the tracker can assist in alleviating these straight lines.



## ONLINE WEBSITE

Go to: [www.mongoosegps4g.com](http://www.mongoosegps4g.com)

- First select 'IMEI' (ID number of tracker) for single tracker users  
or
- 'USER NAME' if you have a Mongoose GPS 'account' for multiple trackers.
- Logon are the same details as the mobile APP.



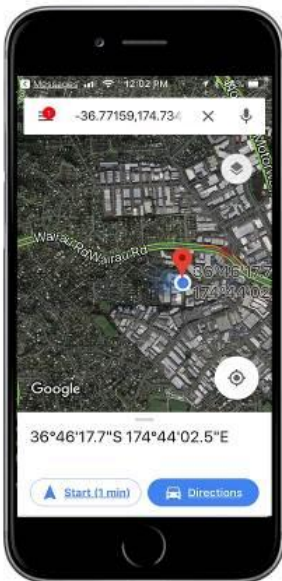
## LOGON PASSWORD

Your 'logon' password must be confidential and is chosen by you when completing the Change Password in TEXT Cmmads.

This password can be changed/updated at any time when logged onto the website.

Once logged in, the top right corner will show your trackers or account name. Next to this is a 'change password' menu item. Input current password and your new password.

Please make a note of any password changes – best place in 'notes' on your phone.



## FINDING LOCATION JUST BY SENDING A TEXT MESSAGE FROM ANY MOBILE PHONE

Without using the mobile APP, you can find a trackers location by simply sending a normal text from any mobile phone to the tracker :-

Send :- **G123456#**

1. You will receive a text reply.
2. Tap the blue web address.
3. The phones map will show trackers location.

Note: 123456 is the default password for the Tracker for Text commands. This is not the password for the APP and Website.

## GEO-FENCE (A restricted area of travel)

A geo-fence is an invisible boundary that has a minimum radius of 100m to a maximum of 5000m. The area is easily set from within the APP.

If the tracker moves in or out of the geofenced area it will send an alert to the APP and Website.

Multiple geo-fences can be set, for instance, around your home, your place of work, usual parking places, shopping centres, friend's houses, customers premises, etc.

## CREATING A GEO-FENCE

- Select 'Geo-fence' in main menu
- Press 'Add New' top right corner
- Enter a name for your geo-fence
- Press 'CREATE'
- The map on the right opens.
- Move the map so the crosshairs are over where you want the centre of your geo-fence to be.
- Use the slider bar to increase or decrease the size of the geo-fenced area.
- The text in the centre of the 'crosshairs' shows the radius chosen (distance from centre to perimeter).  
Min' 100m - Max' 5000m
- Press the save icon top right.

The geo-fence alert is now automatically 'on'.

To turn the alerts 'off', select 'geo-fence' in main menu and a list of created geo-fences appears. To delete a geo-fence by press and hold till the delete options appears.





## MOBILE APP COMMANDS

These are the SMS (text) commands that can be sent from the mobile APP. These commands are the most frequently used. This screen also shows the current status and previous settings.

When commands are sent from the APP to the tracker, they are sent as text messages from your mobile phone. The APP opens your phones text messages displaying the command as a text code to be sent to the tracker..... Just press 'send'.

For most commands, a reply text message will be received confirming the action.

**NOTE:** if you send texts directly from your phone (instead of via the APP) the APP's status will not be updated.

## COMMANDS AVAILABLE VIA THE MOBILE APP

| Command  | Function  |
|--|---|
| Arm / Disarm                                   | Turns text alerts on or off. When ON, text alerts are sent for possible intrusion for ignition on and shock(vibration) sensor and Move alert if set.  |
| Engine Immobiliser via starter motor On or Off | Starter motor Immobilise relay if installed<br>If vehicle is stopped, immobilisation is immediate. If moving it will activate once below 20km per hour.<br><b><u>Requires 4G and GPS signal</u></b><br>*safe operation must be checked when installing* |
| Get Location Data                              | Provides latitude/longitude as a text message – click on blue text to open your phones mapping system (not APP)   |
| Tracking Frequency                             | Sets how often the tracker updates its location when moving. Default is every 15 seconds - accurate trace   |
| Time Zone                                      | Set hours ahead of GMT your tracker is located. Adjust for daylight saving when applicable.   |
| Vibration Level                                | Adjust the sensitivity of the shock sensor. 1~9 (1 most sensitive)  |
| Speed Alert                                    | Sets a maximum permitted speed. Speeding sends alert  |
| Move Alert                                     | Sets a radius of permitted movement.  |
| Master User Number                             | The main users mobile phone number  |
| Authorised Number                              | 2 other authorised users to receive messages (SOS)  |
| <b>Text Command Password</b>                   | Choose your own unique 6-digit number for SMS command of your VT904. (default 123456) <b>(This does not change your APP or website logon password)</b>  |
| Reset  | Resets settings to factory default  |

## ADVANCED USER 'TEXT COMMANDS'

The following commands provide greater control of how the tracker operates.

Commands are sent as text messages from your mobile phone direct to the tracker, not via the mobile APP. A reply text message will be received confirming the action.

**123456** is the default text password (not the logon password) this should be changed.

| Command  | Text format to send to tracker  | Reply                                  |
|--|---|--|
| Pair master mobile phone                                 | <b>adm123456,XXXXXXXXXX</b><br>XXXXXXXXXX = your mobile phone number  | adm ok                                 |
| Cancel Master Number                                     | <b>adm123456,</b>   | adm ok                                 |
| Add 2 Phone numbers to receive SOS- Siren trigger alerts | <b>sos,XXXXXXXXXX,XXXXXXXXXX</b><br>XXXXXXXXXX = mobile phone numbers<br>(can use one phone number twice instead of 2 difference phone numbers) | SOS!<br>S1:XXXXXXXXXX<br>S2:XXXXXXXXXX |
| Arm (enables alerts)                                     | <b>111</b>  | sf ok                                  |
| Disarm (cancels alerts)                                  | <b>000</b>  | cf ok                                  |
| Immobilise the engine                                    | <b>555</b>  | cut oil ok                             |
| Restore engine starting                                  | <b>666</b>  | resume oil ok                          |
| Sensitivity of vibration wake-up                         | <b>vibxyz123456,t,x,y,z</b><br>eg: vibxyz123456,1,3,3,3<br>t:0-9 xyz:1-9 default= as shown  | vibxyz ok                              |
| Reboot   | <b>CQ</b>   | cq ok                                  |
| Reset to factory default                                 | <b>begin123456</b>  | begin ok                               |
| Check IMEI   | <b>CXCS#IMEI</b>  | READOK:                                |
| APN setting  | <b>apn123456 xxxxxxxx</b><br>xxxxxx = APN name (see page 3)   | apn ok                                 |
| Request location   | <b>G123456#</b>   | Replies with details                   |
| Power disconnected alert (SMS alert)                     | <b>Turn On send SCZS#POF=1</b><br><b>Turn Off send SZCS#POF=0</b>   | Set OK: POF=1<br>Set OK: POF= 0        |
| Change text command password (not logon)                 | <b>pwd123456,XXXXXX</b><br>123456 = default password<br>xxxxxx = new password   | OK ! New password:<br>xxxxxx           |

## FEATURE DETAILS

### **ARM - ALERTS ON**

#### **DISARM - ALERTS OFF** (Always disarm before driving)

With ignition off, the tracker is 'armed' or 'disarmed' by using the APP under 'Text Command'

To receive any of these alerts the tracker must be armed.

- a. Vibration sensor activated
- b. Ignition has been turned on
- c. Move Alert.

### **ENGINE STARTER IMMOBILISER (SP904 Security Pack)**

***It is critical that only the starter motor is immobilised as this does not affect the safe operation of the vehicle. Please ensure that the correct immobilisation has been carried out.***

The tracker can immobilise the starting of the engine via the smartphone.

### **SOS TEXT ALERT (SP904 Security Pack)**

An SOS button is fitted to the vehicle close to the driver. If the driver requires help or assistance, pressing the button for 4~5 seconds will cause a text alert to all authorised mobile phone numbers. Does not require the tracker to be armed. Must complete SOS set up in text commands.

### **CAR ALARM TEXT ALERT (SP904 Security Pack)**

The SOS feature can instead be connected to your car alarm siren. If the car alarm is activated for more than 4~5 seconds, a text alert will be sent to all authorised numbers. Arming/disarming chirps should not cause an alert. Does not require the tracker to be armed. Must complete SOS set up see page 10.

### **SHOCK (VIBRATION) ALERT**

When armed, if the tracker detects a violent shock (vibration), it will send an alert to all authorised mobile phone numbers.

Sensitivity is factory set and is also dependent on where the tracker is mounted. We recommend attaching to a solid part of the vehicle for best detection.

### **IGNITION ALERT**

When armed, if the ignition of the vehicle is turned on, all authorised numbers will receive an alert.

### **POWER DISCONNECT ALERT**

When armed, if the power to the tracker is disconnected, the tracker will send a text alert.

### **MOVE 'TOW' ALERT**

This is similar to geo-fence but is not at a fixed location – the location is where your vehicle is parked when you activate 'move'. Then user must send ARM command.

The vehicle must be stationary for more than 3 minutes before a 'move' command can be sent.

The command sets a permitted radius of travel of your choice (100m~500m) from the parked location. Movement outside this radius will send an alert to your APP and Website.

*If move alert is on, then geo-fence is automatically off.*

## **SPEED ALERT**

A speed limit can be set between 50~300kph.  
Speeding sends a text alert to all authorised numbers.

## **FREQUENCY OF REPORTING – default 15 seconds**

Set how often the tracker reports when moving.  
Typically, 15~20 seconds is used when moving as this gives a good map plot.

## **TIME-ZONE**

GPS time is based on GMT (Greenwich Mean Time).

Example settings are;

When no daylight saving (10 - NSW) (12 for NZ)

With daylight saving (11 -NSW) (13 for NZ)

The tracker does not automatically update time – it must be done manually.

## **AUTHORISED (SOS) NUMBERS**

Apart from the main ‘master’ user, you can add 2 other authorised mobile numbers that can have the same APP control and receive text alerts from the tracker.

## **BATTERY BACK-UP**

The GPS tracker has an internal battery which is charged once connected to your vehicle.

It provides short term power back-up in the event the vehicle battery is disconnected.

Switched – under top clear cover.

Turn off if you plan to have tracker disconnected from power.

## **COMMAND PASSWORD** (for text commands) (Does not change APP logon password –

The default password is 123456.

This may be changed to any unique 6-digit number of your choice.

*Note: If changing the password, please make careful note of the new number.*

## **LED’s** (Viewed on the tracker module)

### **YELLOW LED** — Mobile communication

Unlit Mobile reception is off

Lit solid Working normal

Flashing once every 3 sec’s Searching for signal

### **Blue LED** – GPS satellite reception

Unlit GPS off

Lit solid Working normal

Flashing once every 3 sec’s Searching for signal

### **Red LED** – Internal battery for back-up

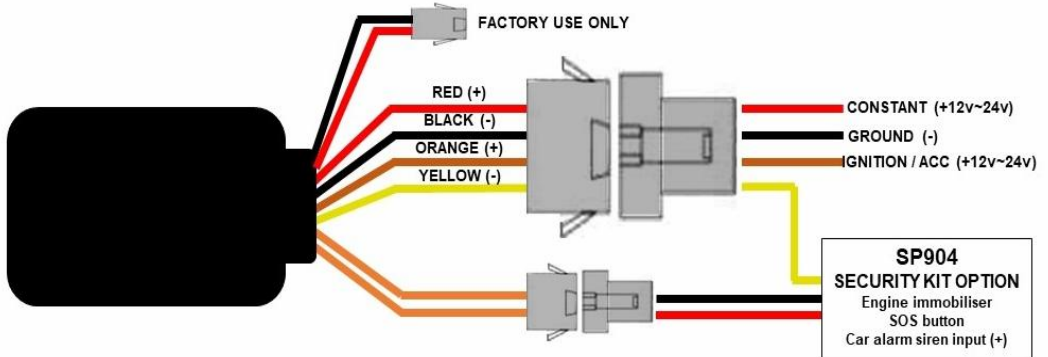
Unlit No Power

Lit solid Has Power

## WIRING DIAGRAM

This product should only be installed by a suitably qualified professional.

**For safety reasons, only immobilise the starter motor**



### **INSTALLATION OF TRACKER MODULE**

- Choose a hidden but accessible mounting location that allows for the tracker to face towards the sky – SIM card side facing up.
- Ensure there is no metal above that could shield the tracker.
- Do not put the tracker close to other emission sources such as computers, parking system, alarms, Bluetooth units or other electronic equipment.
- Remove the top cover and insert the SIM card.
- Plug in the loom and park outdoors to get good GPS reception.
- Verify mobile and GPS reception by looking at the LED's for correct flash code.
- Refit the cover.
- Secure the tracker in the chosen location.

## SP904 SECURITY PACK OPTION

The VT904 can be easily upgraded to provide vehicle and personal security in addition to vehicle location and travel history.

The SP904 Security Pack includes;

- An engine starter immobiliser relay kit (For engine Starter immobilisation via the APP)
- A vehicle's car alarm connection kit (Sends the SOS alert when car alarm sounds)
- An 'SOS' button (Sends the SOS alert to authorised mobile phones)
- Security Pack installation instructions

All controllable via the mobile APP or simple text messages.

## CRITICAL INFORMATION ON IMMOBILISER

The immobiliser should only be activated once the vehicle is stationary

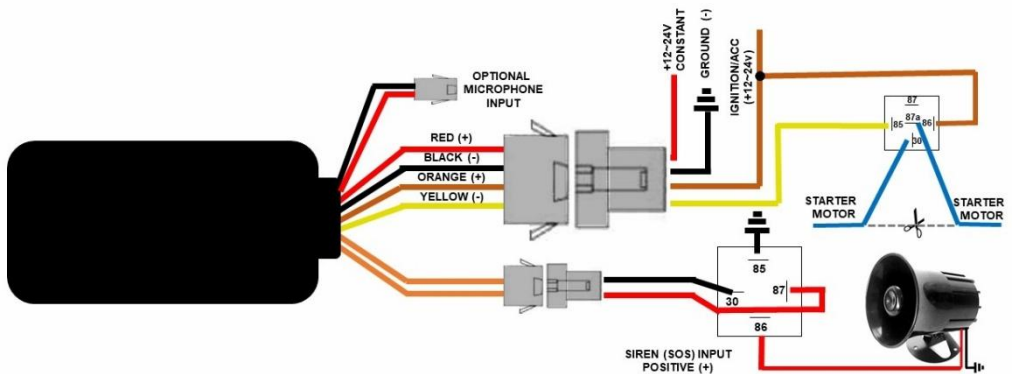
Immobilising a moving vehicle is dangerous and could cause injury or death.

The user-operator is responsible for ensuring safe operation of the remote immobilisation of the vehicle.

The Immobiliser should only be connected to starter motor

The immobilisation should be professionally installed and checked for safe operation.

## SP904 SECURITY PACK INSTALLATION





## **ENGINE STARTER IMMOBILISER**

To prevent engine starting, only the starter motor is to be immobilised to provide safe operation.

**IMPORTANT NOTE:** Immobilising circuits other than the starter motor (eg: ignition or fuel pump) may result in the vehicle stopping unexpectedly whilst being driven which could cause death or injury. **Only immobilise the starter motor.**

**VT904 and SP904 must be tested to ensure correct and safe operation when installed** NOTE: 24-volt vehicles – relays not supplied.

## **SOS BUTTON**

Mount the switch in a suitable location within easy reach of the driver, if using as SOS instead of Siren input trigger.

## **CAR ALARM SIREN INPUT – Can connect SOS to siren trigger**

The wiring diagram above shows how a (+) positive trigger Mongoose car alarm siren is connected. If connecting to a negative trigger alarm system, connect pin 85 to constant (+) positive supply and pin 86 to the negative trigger of the siren.

NOTE: The siren input does not provide for pulsed siren or horn triggers. (12volt.com has information on converting pulsed output to constant). \* **You must also set the Phone numbers to receive the SOS Numbers text alert.**

## **USE THE MOBILE APP TO TEST THE SP904 SECURITY PACK INSTALLATION**

### **IMMOBILISER**

- Open the APP & logon.
- Select 'menu' and then 'text commands'.
- Select the immobiliser command and choose 'ON'.
- Check to ensure the vehicle is stopped
- The APP will ask for confirmation to prevent accidental immobilisation. If you check it is safe to activate, then confirm.
- Test immobilisation by attempting to start the engine.
- Once checked operation is successful, re-engage the starter by sending the 'OFF' text command. Test for correct operation by starting the engine.

### **SOS or CAR ALARM**

When the alarm is activated, or the SOS button is pressed, the VT904 will alert the owner and authorised mobile phones with an 'SOS' text message.

There is a built-in 4~5 second delay before the alert is sent to allow for false alarms and for the vehicle owner to cancel the alarm sounding.

Check Arming/disarming and pre-intrusion chirps do not cause an alert.

## NOTES:

- GPS tracking may not function correctly if it cannot 'see' the GPS satellites such as undercover, in parking buildings, surrounded by tall buildings, heavy overcast weather, etc.
- For this tracker to function correctly and accurately, ensure your mobile phone GPS location services are switched on for the Mongoose 4G APP.
- The APP and website are owned & operated by a 3<sup>rd</sup> party and are free to use by purchasers of Mongoose GPS tracker products. Mongoose is not liable if access interruptions or becomes unavailable for any reason.
- We are not responsible for the non-operation of this product should the internet services, mobile service providers of the GPS or mobile signals become unavailable for whatever reason.
- We are not responsible for the operation of your mobile device used with this tracker nor the compatibility of it with this GPS tracking device.
- Keep the unit dry. Clean with dry cloth. Do not clean with chemicals or detergent, etc.
- Do not disassemble, tamper or attempt repairs. Do not paint or apply metal foil stickers.
- No internal serviceable parts. Tampering, abuse and misuse will void warranties.

## Specification

|                   |   |
|-------------------|---|
| Dim.              | 80mm x 38mm x 17mm  |
| Weight            | 53g   |
| Network           | 4G LTE /GSM   |
| Bands             | LTE-FDD B1/B2/B3/B4/B5/B7/B8/B28/B66GSM<br>850/900/1800/1900MHz |
| Working voltage   | DC 9V - 95V   |
| Working current   | 12V/38mA  |
| Sleep current     | 12V/10mA  |
| GPS sensitivity   | -162dBm   |
| GPS accuracy      | 5m  |
| Time To First Fix | Cold status 35-80s - Warm status 35s - Hot status 1s            |
| Battery           | 3.7V 140mAh Polymer battery                                     |
| Storage Temp.     | -30°C to +80°C  |
| Operation Temp.   | -20°C to +75°C  |
| Humidity          | 5%--95% non-condensing  |
| External ports    | Immobiliser-SOS siren trigger                                   |
| Other port        | Factory use only  |

# PRODUCT WARRANTY

Mongoose warrants for the period of 1 YEAR (12 months) that it will make good without charge, at Mongoose's discretion, by way of repair or replacement with the same or with a reasonable equivalent.

It is the product owner's responsibility to return the GPS tracker for service, repair or replacement at their own cost.

Any claim made to Mongoose under this warranty must comply with the following;

- (a) any defect has been notified to the supplying Mongoose dealer as soon as the defect was noticed.
- (b) a copy of your retail 'proof of purchase' stating where and when it was purchased and (if applicable) who carried out the installation.
- (c) the product was manufactured within 12 months prior to the commencement of this warranty period.
- (d) the product was purchased from Mongoose or one of its authorised dealers/resellers.
- (e) the product has not been disassembled or the manufacturers security seals have not been broken or tampered with.
- (f) if installation of the product was required, that it has been installed by a suitably qualified industry recognised person.
- (g) that the original installer, or other Mongoose dealer nominated by the original installer, has determined that the reported defect is a genuine product defect and not caused by;
  1. incorrect operation, incorrect installation or any other consequential damage caused by other equipment not part of this product.
  2. operation of the product after it is known to be defective
  3. tampered with, alteration or modification by any person
  4. the fitment and/or connection of additional parts or accessories not supplied by or approved of by Mongoose
  5. water damage, misuse, accident, deliberate act or abuse, misdirected electrical current, insufficient or excess voltage, ingress of any fluid or fire
  6. excessive heat from either the vehicle or the sun

## **Items not covered by this warranty;**

- (1) labour costs for removal & refitting of parts
- (2) mobile 'onsite' service
- (3) normal wear and tear
- (4) any consequential loss incurred by the failure of this product or SIM card failure
- (5) product purchased from internet trading sites which is not supplied by an authorised dealer
- (6) Mobile SIM cards
- (7) The download and use of the mobile APP and website
- (8) Loss of access to App and Website

## **Warranty when not fitted by auto electrician or suitably qualified persons**

This warranty may be void or limited to 6 months 'manufacturing defects only' depending on the reasons for repair.

## **Installation warranty**

Warranty on the installation is borne by the installer.



## FOR MORE INFORMATION

### Australia

[www.mongoose.com.au](http://www.mongoose.com.au)

### New Zealand

[www.mongoose.co.nz](http://www.mongoose.co.nz)

GPS tracking website: [www.mongoosegps4g.com](http://www.mongoosegps4g.com)

Mobile APP:- **4G MONGOOSE GPS**